



**PRE-RINSE UNITS  
COMMERCIAL KITCHEN FAUCET  
HOSE REEL**



**Powerline Equipment Company**  
Pulaski Street, Norwalk, CT 06851 USA  
[www.powerlineequip.com](http://www.powerlineequip.com)



# PRE-RINSE UNITS



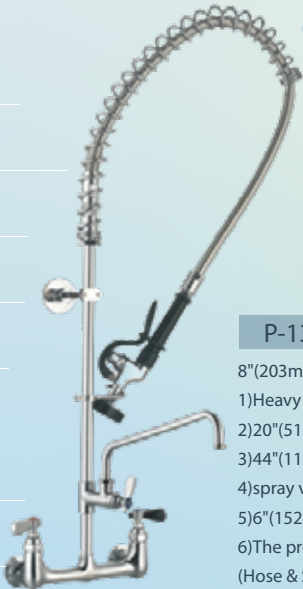
**P-113-B**

- 1) Deck mounted type
- 2) Heavy duty construction
- 3) 20"(510mm) riser
- 4) 44"(1118mm) flexible stainless steel hose,
- 5) Spray valve
- 6) 6"(152) or 12"(305mm) Wall bracket
- 7) The product includes check valve to prevent cross-flow  
(Hose & Spray valve can interchange with T&S)



**P-113-ADF12B**

- 1) Deck mounted type
- 2) Heavy duty construction
- 3) 20"(510mm) riser
- 4) 44"(1118mm) flexible stainless steel hose,
- 5) Spray valve
- 6) 6"(152) or 12"(305mm) Wall bracket
- 7) The product includes check valve to prevent cross-flow
- 8) Add-on faucet, Swing nozzle with 12"(305mm) length  
(Hose & Spray valve can interchange with T&S)



**P-133-B**

- 8"(203mm) Center Wall mounted type
- 1) Heavy duty construction
- 2) 20"(510mm) riser
- 3) 44"(1118mm) flexible stainless steel hose,
- 4) spray valve
- 5) 6"(152mm) or 12"(305mm) Wall bracket
- 6) The product includes check valve to prevent cross-flow  
(Hose & Spray valve can interchange with T&S)



**P-133ADF12-B**

- 8"(203mm) Center Wall mounted type
- 1) Heavy duty construction
- 2) 20"(510mm) riser
- 3) 44"(1118mm) flexible stainless steel hose,
- 4) spray valve
- 5) 6"(152mm) or 12"(305mm) Wall bracket
- 6) The product includes check valve to prevent cross-flow
- 7) Add-on faucet, Swing nozzle with 12"(305mm) length  
(Hose & Spray valve can interchange with T&S)

# PRE-RINSE UNITS



**P-123-AB**

- 8"(203mm)Center Deck mounted type
- 1)Heavy duty construction
- 2)20"(510mm)riser
- 3)44"(1118mm)flexible stainless steel hose,
- 4)spray valve
- 5)6"(152mm)or 12"(305mm)Wall bracket
- 6)The product includes check valve to prevent cross-flow  
(Hose & Spray valve can interchange with T&S)



**P-123-ADF12-B**

- 8"(203mm)Center Deck mounted type
- 1)Heavy duty construction
- 2)20"(510mm)riser
- 3)44"(1118mm)flexible stainless steel hose,
- 4)Spray valve
- 5)6"(152)or 12"(305mm)Wall bracket
- 6)The product includes check valve to prevent cross-flow
- 7)Add-on faucet, Swing nozzle with 12"(305mm)length  
(Hose & Spray valve can interchange with T&S)



**P-2290**

- 1)4"(102mm)Center Deck mounted type
- 2)Heavy duty construction
- 3)20"(510mm)riser
- 4)44"(1118mm)flexible stainless steel hose,
- 5)Spray valve
- 6)6"(152)or 12"(305mm)Wall bracket
- 7)The product includes check valve to prevent cross-flow  
(Hose & Spray valve can interchange with T&S)

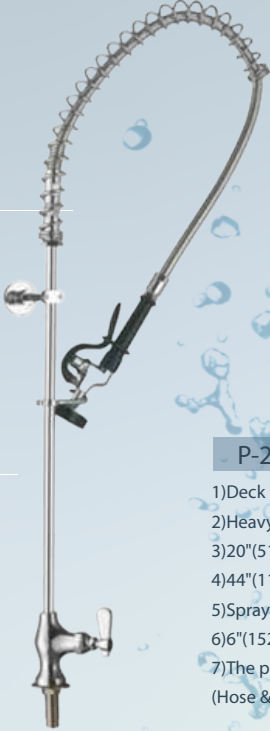


**P-2290-ADF12-B**

- 1)4"(102mm)Center Deck mounted type
- 2)Heavy duty construction
- 3)20"(510mm)riser
- 4)44"(1118mm)flexible stainless steel hose,
- 5)Spray valve
- 6)6"(152)or 12"(305mm)Wall bracket
- 7)The product includes check valve to prevent cross-flow
- 8)Add-on faucet, Swing nozzle with 12"(305mm)length  
(Hose & Spray valve can interchange with T&S)



# PRE-RINSE UNITS



P-2285-B

- 1) Deck mounted type
- 2) Heavy duty construction
- 3) 20"(510mm) riser
- 4) 44"(1118mm) flexible stainless steel hose,
- 5) Spray valve
- 6) 6"(152) or 12"(305mm) Wall bracket
- 7) The product includes check valve to prevent cross-flow  
(Hose & Spray valve can interchange with T&S)



P-2285-ADF12-B

- 1) Deck mounted type
- 2) Heavy duty construction
- 3) 20"(510mm) riser
- 4) 44"(1118mm) flexible stainless steel hose,
- 5) Spray valve
- 6) 6"(152) or 12"(305mm) Wall bracket
- 7) The product includes check valve to prevent cross-flow
- 8) Add-on faucet, Swing nozzle with 12"(305mm) length  
(Hose & Spray valve can interchange with T&S)



P-107

Spray head, 1.15GPM, chrome plated brass, blue head & trigger

# DOUBLE FAUCETS



**P-0232-8**

1. 8"(203mm)centers
2. Wall-mounted pantry faucet
3. Swing nozzle with 12"(305mm)length
4. G1/2" eccentric flanged female inlets
5. The product includes check valve to prevent cross-flow



**P-0221**

1. 8"(203mm)centers
2. Deck-mounted pantry faucet
3. Swing nozzle with 12"(305mm)length
4. G1/2" eccentric flanged female inlets
5. The product includes check valve to prevent cross-flow



**P-0201**

1. Deck-mounted pantry faucet
2. Single hole
3. Swing nozzle with 12"(305mm)length
4. G1/2" female inlets
5. The product includes check valve to prevent cross-flow



**P-0225**

1. Deck-mounted pantry faucet
2. 4"(102mm)centers
3. Swing nozzle with 12"(305mm)length
4. G1/2" eccentric flanged female inlets
5. The product includes check valve to prevent cross-flow



**P-1113**

1. Deck-mounted workboard faucet
2. Removable seats
3. 4"(102mm)centers
4. Swing nozzle with 12"(305mm) length
5. Chrome plated escutcheon, 6-1/2" (165mm)\*2"(51mm)wide
6. G1/2" male inlets
7. The product includes check valve to prevent cross-flow

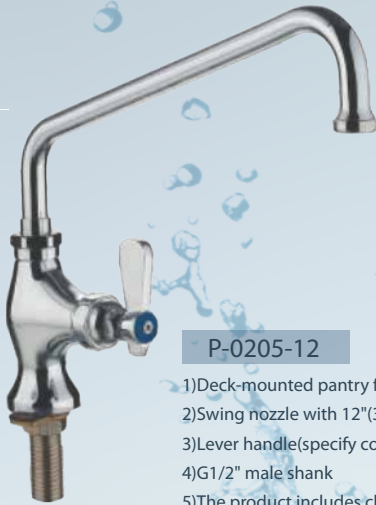


**P-1123**

1. Deck-mounted workboard faucet
2. Removable seats
3. 8"(203mm)centers
4. Swing nozzle with 12"(305mm) length
5. Chrome plated escutcheon, 10-1/2" (267mm)\*2"(51mm)wide
6. G1/2" male inlets
7. The product includes check valve to prevent cross-flow



# SINGLE PANTRY FAUCET



P-0205-12

- 1) Deck-mounted pantry faucet
- 2) Swing nozzle with 12"(305mm) length
- 3) Lever handle (specify cold or hot)
- 4) G1/2" male shank
- 5) The product includes check valve to prevent cross-flow



P-0305

- 1) Deck-mounted pantry faucet
- 2) Swivel gooseneck with P3
- 3) Lever handle (specify cold or hot)
- 4) G1/2" male shank
- 5) The product includes check valve to prevent cross-flow

Pipe Sizes:

- P3=5-11/16"(145mm)\*10-3/8"  
(264mm)\*6-3/8"(162mm)



# HOSE REEL

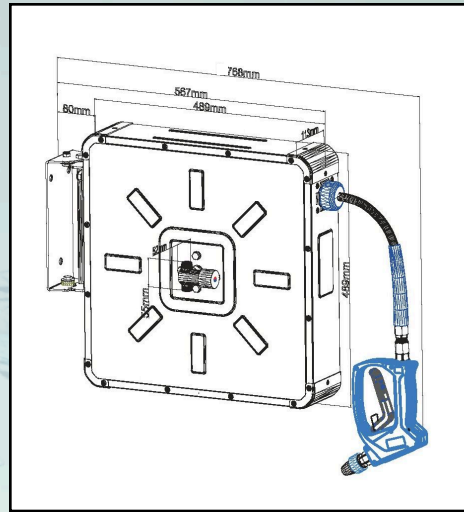


PHRC-SS-18-Q

PHRC-SS-15-Q

STAINLESS STEEL SQUARE ENCLOSED TYPE

-18 pipes are 18 meters long, -15 pipes are 15 meters long, with a 304 stainless steel inlet shaft, The water gun has a 304 stainless steel joint that rotates 360 degrees, Flexible angle flushing.



PHRC-E2-18-Q

PHRC-E2-15-Q

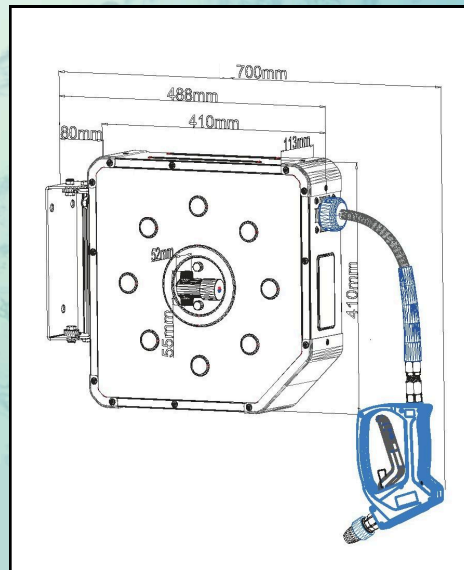
EPOXY COATED SQUARE ENCLOSED TYPE

-13 pipes are 13 meters long, -10 pipes are 10 meters long, with a 304 stainless steel inlet shaft, The water gun has a 304 stainless steel joint that rotates 360 degrees, Flexible angle flushing.



PHRC-SS-10-Q

STAINLESS STEEL SQUARE ENCLOSED TYPE



PHRC-E2-10-Q

PHRC-E2-13-Q

EPOXY COATED SQUARE ENCLOSED TYPE



# HOSE REEL

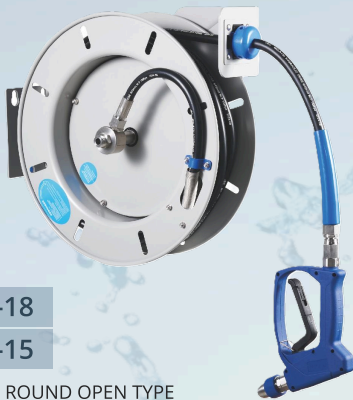
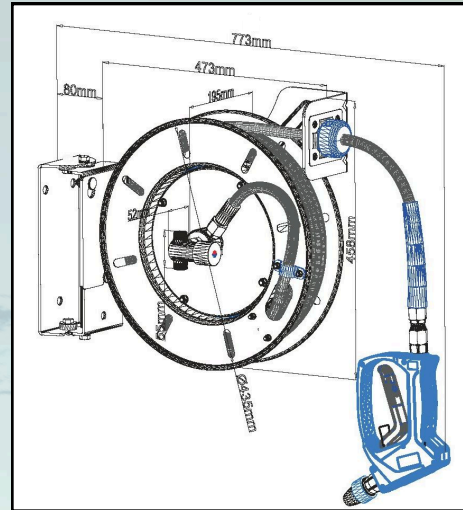


PHRO-SS-18

PHRO-SS-15

STAINLESS STEEL ROUND OPEN TYPE

-18 pipes are 18 meters long, -15 pipes are 15 meters long, -10 pipes are ten meters long, with a 304 stainless steel inlet shaft, The water gun has a 304 stainless steel joint that rotates 360 degrees, Flexible angle flushing.



PHRO-E3-18

PHRO-E3-15

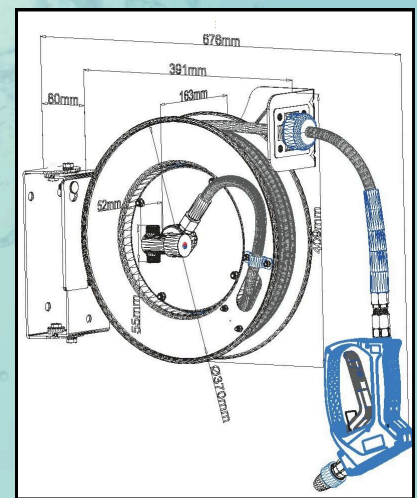
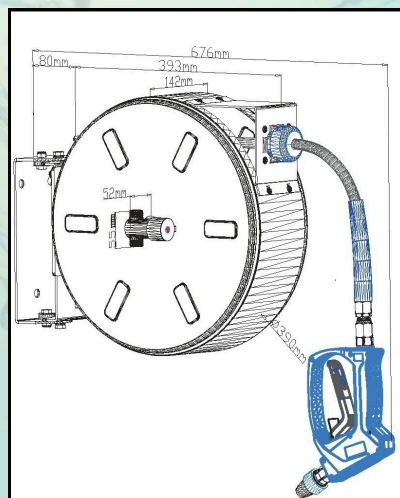
EPOXY COATED ROUND OPEN TYPE



PHRC-SS-10

STAINLESS STEEL ROUND ENCLOSED TYPE

-18 pipes are 18 meters long, -15 pipes are 15 meters long, -10 pipes are ten meters long, with a 304 stainless steel inlet shaft, The water gun has a 304 stainless steel joint that rotates 360 degrees, Flexible angle flushing.



PHRO-SS-10

STAINLESS STEEL ROUND OPEN TYPE



# HOSE REEL



**PHRO-E2-10**

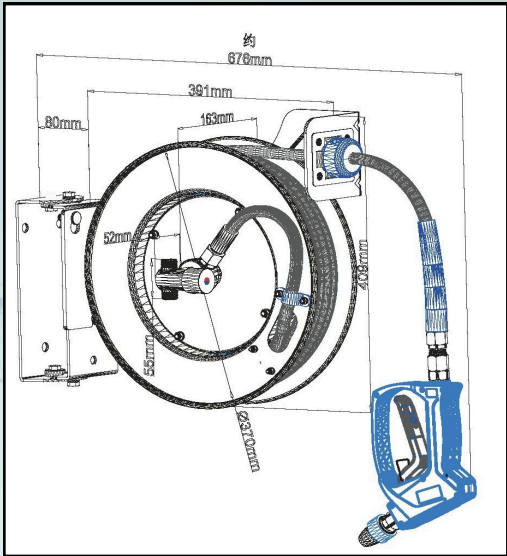
EPOXY COATED ROUND OPEN TYPE



**PHRO-E1-10**

EPOXY COATED ROUND OPEN TYPE

The pipe is ten meters long, with a 304 stainless steel inlet shaft. The water gun has a 360 degree rotating 304 stainless steel joint for flexible angle flushing.





Sales & Service Center

**POWERLINE EQUIPMENT COMPANY**

B-2-11, JALAN SS 25/22

TAMAN MAYANG, 47301 PETALING JAYA

SELANGOR, MALAYSIA

Tel: +603-78805758

[www.powerlineequip.com](http://www.powerlineequip.com)