



EQUIPMENT

COMMERCIAL MICROWAVE OVEN PEC18E2-B



Powerline Heavy Duty Microwave Ovens offer fast cooking in a space saving design. Durable and stackable, these ovens can help any foodservice operator serve consistently hot food.

VERSATILE AND EFFICIENT

These Medium Duty Microwave Ovens easily defrost and cook most frozen foods. It is an ideal unit for small restaurants, bars, cafes, or small convenience stores.

STANDARD FEATURES

- 1800 Watts of power for fast heating
- Impressive 34 liter capacity
- Stainless steel interior, exterior, and handle
- Full size grease repellent ceramic plate (fixed)
- No turntable
- 3 cooking stages with program cooking menu
- Up to 10 programmable menu items (100 item option)
- Durable construction insures longevity
- Easy to use touch controls
- Very easy to clean in entirety
- Space saving stackable design
- Worldwide service network provides product support

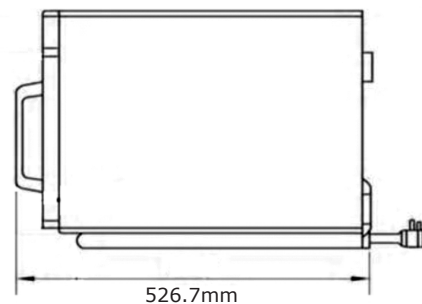
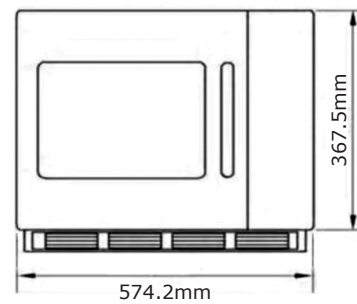
COMMERCIAL MICROWAVE OVEN

PEC18E2-B

Technical Data

Configuration	Counter top
Control system	Touch
Number of programmable control pads	10
Number of programmable stages	3
Exterior construction	Stainless steel
Interior construction	Stainless steel
Removable ceiling cover	Yes
Air filter	Yes
Gastronorm compatible	No
Internal light	Yes
Display	VFD
Stackable	Yes
Power levels	5
Multiple quantity setting X2 PAD	Yes
Time entry options	Yes
Safety interlock system	Yes
Exterior dimensions (L x W x H)	526.7 x 574.2 x 367.5mm
Interior dimensions (L x W x H)	408.8 x 360 x 224.8mm
Defrost indicator	Yes
Defrost selector pad	Yes
Program pad	Yes
Usable cavity space	34L
Microwave sound/noise (dBA)	65
Power consumption	2800W(208V) 3000W(220-240V)
Power output	1800W
Cooling system	Vortex fan
Number of magnetrons	2 (Top & bottom)
Power source	208/230/60/1, 230/50/1
Container quantity (40ft ³)	375
Product weight	32 Kg
Shipping weight	35 Kg
Shipping carton dimensions (LxWxH)	559 x 641 x 451mm

Detail & Dimensions



As continued product improvement is a policy of Powerline, specifications are subject to change without notice.



POWERLINE EQUIPMENT COMPANY

Pulaski Street, Norwalk, CT 06851 USA. Tel: 203-847 2357 Fax: 203-847 6480

www.powerlineequip.com