

# **POWERLINE**

**INSTRUCTIONS FOR  
OPERATION, SERVICE, AND MAINTENANCE FOR  
PG-12-FS  
POWERLINE MEAT GRINDERS**

---

**INSTRUCTIONS FOR  
OPERATION, SERVICE, AND MAINTENANCE FOR  
PG-12-FS  
POWERLINE MEAT GRINDERS**

**INTRODUCTION:**

CONGRATULATIONS YOU HAVE ACQUIRED A POWER LINE MEAT GRINDER, WHICH IS MADE OF HIGH QUALITY LONG LASTING MATERIALS THAT SHOULD GIVE YOU YEARS OF TROUBLE FREE OPERATION AND DURABLE SERVICE.

BEFORE YOU UNPACK YOUR NEW POWER LINE GRINDER, **IT IS VITAL THAT YOU AND ANY PERSON THAT WILL OPERATE THIS UNIT THOROUGHLY READ THIS MANUAL.**

**WARNINGS:**

- **THIS MACHINE IS DESIGNED TO GRIND AND CUT FOOD PRODUCTS AND IS BY NATURE DANGEROUS IF NOT USED AND MAINTAINED PROPERLY FOR OPTIMUM SAFETY.**
- **DO NOT ALLOW UNTRAINED OR UNQUALIFIED PERSONNEL TO OPERATE THIS EQUIPMENT.**
- **NEVER PERFORM SERVICE, CLEANING OR MAINTENANCE ON THIS UNIT WHILE CONNECTED TO A POWER SOURCE.**
- **NEVER USE HANDS OR FINGERS TO FEED PRODUCT INTO THE BOWL AREA, ALWAYS USE THE STOMPER OR PUSHER(1)\* THAT IS PROVIDED WITH EACH MACHINE.**
- **DO NOT LEAVE THE MACHINE UNATTENDED WHILE IN OPERATION.**

**NOTE:** FOR ID NUMBERS REFER TO THE CORRESPONDING DRAWING AT THE END OF THIS MANUAL

**I.- UNPACKING:**

1.-WHILE UNPACKING THE MACHINE TAKE SPECIAL CARE IN REMOVING THE COMPONENTS AND MAKE SURE THAT ALL ARE ACCOUNTED FOR.

LOOK FOR THE FOLLOWING ITEMS:

- 1 COMPLETE GRINDING UNIT; INCLUDING HEADSTOCK(13), FEED SCREW(16), HEADSTOCK RING(20), KNIFE(18) AND PLATE(19) .
- 1 STOMPER OR PUSHER(1).
- 1 PRODUCT TRAY(2).
- 4 RUBBER LEGS(4)
- 1 SUPPORT TRAY(10).
- 1 WRENCH(29) FOR SUPPORT TRAY NUTS.
- 1 BOTTLE(25) OF FDA APPROVE GREASE.

---

## II.- INSTALLATION:

1.- BEFORE CONNECTING TO THE POWER SOURCE FOLLOW THESE EASY ASSEMBLY AND PREPARATION STEPS:

A.- SCREW ON THE FOUR SUPPORT LEGS(4) TO THE BOTTOM OF THE UNIT

B.-REMOVE HEADSTOCK RING(20) FROM HEADSTOCK(13) BY ROTATING COUNTER CLOCKWISE, PULL OUT KNIFE(18) , PLATE(19) AND FEED SCREW(16). ALSO UNSCREW THE KNOB(8) TO ALLOW REMOVAL OF GRINDING HEADSOCK(13).

C.-WASH WITH AN APPROVED DETERGENT, RINSE AND DRY THE FOLLOWING COMPONENTS: HEADSTOCK(13), FEED SCREW(16), HEAD STOCK RING(20), KNIFE(18) , PLATE(19) , STOMPER(1), AND TRAY(2).

D.-APPLY SYNTHETIC GREASE (BOTTLE(25)) TO THE NYLON WASHER(15) TO KEEP IT LUBRICATE. REPIT THIS OPERATION EVERY TIME YOU WASH THE GRINDER.

E.-REASSEMBLE THE COMPONENTS THAT WERE REMOVED FOR WASHING BY FOLLOWING THE REVERSE ORDER IN LETTER "B", BE SURE THAT THE SHARP END OF THE KNIFE(18) FACES FORWARD, AND THAT THE NOTCH OF THE PLATE(19) ALIGNS WITH THE PIN(9) ON THE BOTTOM OF THE HEADSTOCK (SEE DETAIL "B"). WHEN TIGHTENING THE HEADSTOCK RING(20), TENSION SHOULD BE FIRM BUT NOT TOO TIGHT, USE ONLY HAND FORCE.

F.- INSTALL THE PRODUCT TRAY(2):

**RETIRE THE NUTS(22) AND WASHERS(21), PUT THE SUPPORT TRAY(10) AND REPLACE WASHERS(21) AND SCREW NUTS(22) WITH WRENCH(29) INCLUDED WITH THE UNIT, NOW INSERT THE NECK OF THE TRAY(2) INTO THE HEAD STOCK (13) AND PLACE THE BACK PART OF THE TRAY(2) ONTO THE SUPPORT TRAY(10).**

G. PLACE THE STOMPER(1) INTO THE NECK'S TRAY.

2.-PLACE THE GRINDER ON A FIRM AND CLEAN SURFACE THAT HAS ACCESS TO AN ELECTRICAL POWER SOURCE, AND BE SURE IT MEETS THE POWER REQUERIMENTS OF THE UNIT. (IF ANY QUESTIONS PLEASE CONTACT YOUR POWER LINE DEALER).

3.- INSURE THAT ALL LOCAL ELECTRICAL CODES ARE COMPLIED WITH.

4.-ROTATE THE THREADED SUPPORT LEGS(4) TO OBTAIN A FIRM AND STABLE FOUNDATION ON THE SURFACE

5.-AFTER INSURING THAT ALL PREVIOUS STEPS WERE FOLLOWED, CONNECT THE GRINDER TO THE POWER SOURCE, MAKING SURE THAT IT IS PROPERLY GROUNDED AND IF YOU HAVE ANY QUESTION, PLEASE CONTACT A QUALIFIED ELECTRICIAN.

---

### **III.- OPERATION:**

#### **IMPORTANT:**

FOR THE FIRST TIME 2 POUNDS OF SCRAP CLEAN PRODUCT TO REMOVE ANY FOREIGN DEBRIS.

THE NORMAL PROCEDURES TO OPERATE A GRINDER ARE AS FOLLOWS:

- 1.-TURN ON THE MACHINE. (**DO NOT LEAVE MACHINE UNATTENDED WHILE IN OPERATION**).
- 2.- PLACE PRODUCT ON THE REAR OF FEED TRAY(2).
- 3.- SCOOP PRODUCT TOWARDS THE FEED OPENING AND LET IT FALL.
- 4.- IF NECESSARY PUSH THE PRODUCT DEEPER INTO THE NECK ONLY WITH THE PROVIDED STOMPER(1) (**DO NOT USE HANDS, FINGERS OR FOREIGN OBJECTS TO FEED PRODUCT INTO THE HEADSTOCK(13) CHAMBER**).

### **IV- KEY ELEMENTS IN GRINDING QUALITY PRODUCT:**

- IT IS NOT RECOMMENDED TO FORCE FEED PRODUCT INTO THE HEADSTOCK(13) CHAMBER.
- ALWAYS INSURE THAT THE KNIFE(18) AND PLATE(19) ARE SHARP AND FREE OF FOOD DEBRIS.
- IT IS A GOOD IDEA TO USE THE KNIFE(18) AND PLATE(19) AS A SET.
- THE TENSION ON THE HEADSTOCK RING(20) SHOULD BE FIRM BUT NOT TOO TIGHT. OVERTIGHTENING CAN LEAD TO EXCESSIVE FRICTION, MOTOR(28) WEAR AND POOR PRODUCT APPEARANCE.

### **V- CLEANING:**

**ALWAYS UNPLUG OR DISCONNECT THE MACHINE FROM THE POWER SOURCE BEFORE ATTEMPTING CLEANING OR SERVICE.**

ON A DAILY BASIS IT IS RECOMMENDED TO FOLLOW THESE STEPS:

- 1.-DISASSEMBLE MAIN COMPONENTS AS EXPLAINED BEFORE ON THE INSTALLATION SECTION.
- 2.- WASH ALL COMPONENTS WITH AN APPROVED DETERGENT.
- 3.-RINSE, DRY AND INSPECT ALL COMPONENTS FOR WEAR AND SHARPNESS.
- 4.-TO CLEAN CASE(5) ENCLOSURE USE DAMP CLOTH WITH DETERGENT (NEVER HOSE DOWN OR SUBMERGE CASE ENCLOSURE IN WATER OR OTHER LIQUID). RINSE WITH A DAMP CLOTH AND DRY.
- 5.- REASSEMBLE THE MAIN COMPONENTS TAKING CARE TO ALIGN THE PIN(9) IN THE HEAD WITH THE NOTCH ON THE BOTTOM OF THE PLATE . (SEE DETAIL "B")

---

## **VI- MAINTENANCE:**

**ALWAYS UNPLUG OR DISCONNECT THE MACHINE FROM THE POWER SOURCE BEFORE ATTEMPTING CLEANING OR SERVICE.**

- 1.- TO INSURE QUALITY PRODUCT, YOUR KNIFE(18) AND PLATE(19) MUST HAVE SHARP EDGES, REGULARLY REPLACE OR SEND FOR SHARPENING THESE COMPONENTS.
- 2.- RELUBRICATE THE NYLON WASHER (15) REGULARLY WITH THE GREASE INCLUDED IN THE BOTTELE(25) INSPECT AND REPLACE WHEN NO LONGER SERVICEABLE.

**NOTE: A SYMPTOM TO RECOGNIZE A WORN NYLON WASHER(15) IS BY TIGHTEN THE RING TOTALLY WITHOUT OBTAINING PROPER TENSION BETWEEN PLATE(19) AND KNIFE(18) .**

- 3.- THE GEAR BOX OF THIS GRINDER IS SEALED AND SHOULD BE SERVICED ONLY BY APPROVED TECHNICIAN, THE TRANSMISSION OIL SHOULD BE CHANGED AT LEAST EVERY TWO (2) YEARS OF NORMAL OPERATION.

**THANK YOU FOR SPENDING THE TIME TO READ THIS MANUAL.**

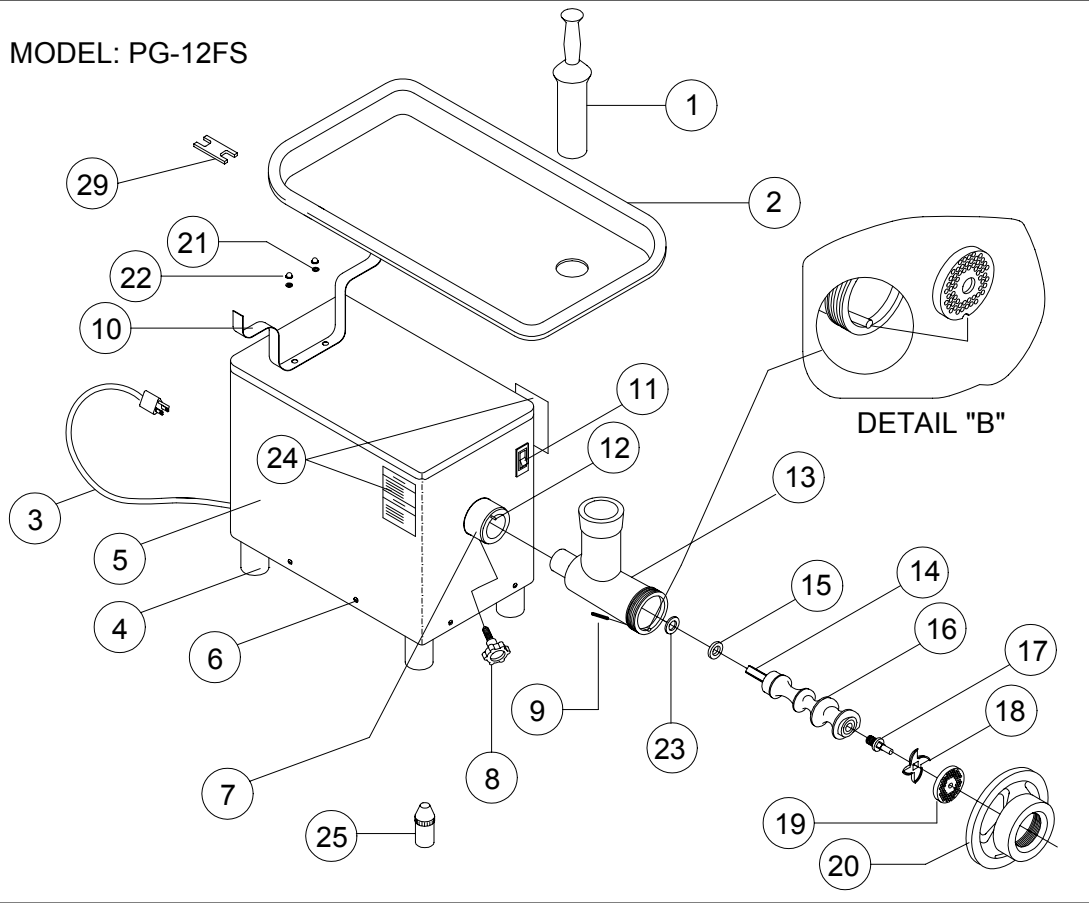
IF THERE ARE ANY QUESTIONS PLEASE CONTACT POWERLINE EQUIPMENT

**WEB SITE: [www.powerlineequip.com](http://www.powerlineequip.com)**

**Tel. No. (1-203) 847-2357**

**Fax. No. (1-203) 847-6480**

MODEL: PG-12FS



No.	DESCRIPTION	QTY.
1	STOMPER	1
2	STAINLESS STEEL TRAY	1
3	POWER CORD	1
4	RUBBER LEGS	4
5	STAINLESS STEEL CASE	1
6	STAINLESS STEEL SCREW 3/16" x 3/8"	10
7	GEAR BOX COVER	1
8	HEADSTOCK KNOB	1
9	GUIDE PIN 5/32" x 11/16"	1
10	SUPPORT TRAY	1
11	SWITCH	1
12	STAINLESS STEEL GUIDE PIN 5/16" x 3/4"	1
13	HEADSTOCK	1
14	REAR ROD	1
15	NYLON WASHER	1
16	FEED SCREW (WORM)	1
17	FRONT ROD	1
18	KNIFE	1
19	PLATE	1
20	HEADSTOCK RING	1
21	STAINLESS STEEL WASHER FOR SUPPORT TRAY	2
22	STAINLESS STEEL NUT #8-32 FOR SUPPORT TRAY	2
23	BRONZE WASHER	1
24	WARNING DECAL	1
25	BOTTLE WITH FDA APPROVE GREASE	1
28	MOTOR 3/4HP SINGLE PHASE (NOT SHOWN)	1
29	WRENCH FOR SUPPORT TRAY NUTS	1