



# PI-1006 Series Cube ICE Maker

- ✓ Produces up to 1201 lbs. (546 Kgs.)\* of ICE per day
- ✓ Constructed from sturdy, corrosion-resistant 300 series stainless steel
- ✓ Ultra-low profile - 26 inches (660 mm) tall
- ✓ Available with an air-cooled condenser



PI-1006 on a B55 Bin

## ***Powerline is the Best ICE Making Solution for: Hard Water, Food Safety and Tight Spaces***

### **Problem**

#### **Food Safety**

Food safety concerns about slime- and odor-causing bacteria

#### **Hard Water**

Scaling due to hard water slows Ice production

#### **Tight-Fitting Spaces**

Inadequate air flow due to tight-fitting spaces reduces Ice production

#### **Corrosion**

Salt air corrosion of outdoor equipment located in coastal regions

### **Solution**

#### **PURE ICE®**

Built-in antimicrobial protection for the life of the machine prevents bacteria and slime fungus growth. Powerline's optional water filtration system provides protection against unpleasant tastes, odors and scale formation.

#### **Harvest Assist**

Consistent ICE production 24/7 for the life of the machine, while reducing operating costs

#### **Maximum ICE**

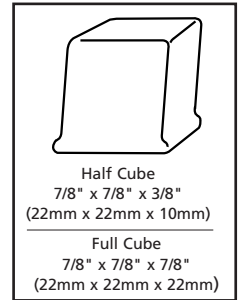
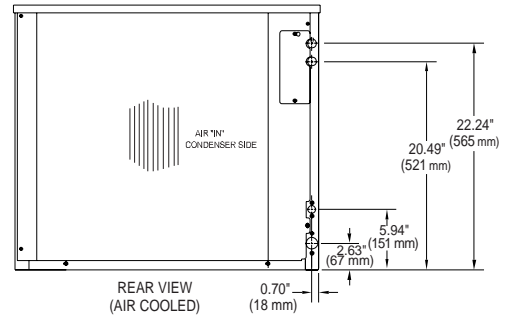
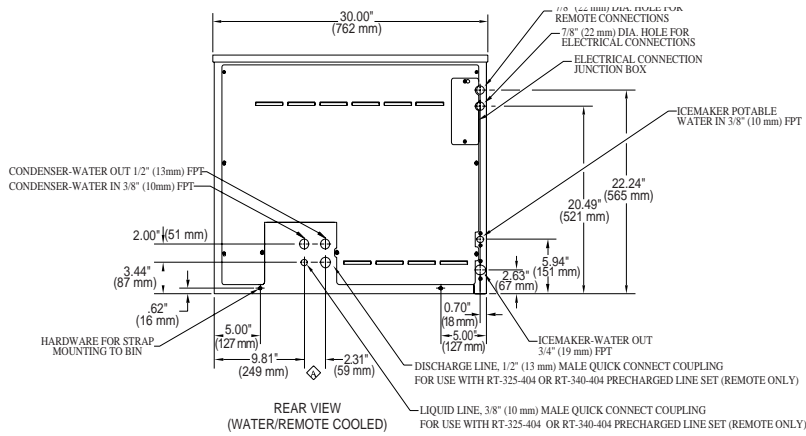
Maximum ICE production in a minimum amount of space with an ultra-low profile - 30 inches wide / 26 inches tall

#### **Sea Salt Corrosion Protection**

All remote condensers are coated with a salt air corrosion protection – FREE

\*Rated at 70 ° (21°) Air / 50° (10°) Water

# PI-1006 Series Cube ICE Maker



## ICE PRODUCTION CHART POUNDS (KILOGRAMS) PER 24 HOURS

		PI-1006			PI-1005			
Conds. Unit	Air Temp. °F (°C)	Water Temp. °F (°C)			Air Temp. °F (°C)	Water Temp. °F (°C)		
		80°(27°)	70°(21°)	50°(10°)		80°(27°)	70°(21°)	50°(10°)
Air Cooled	90° (32°)	754 (343)	<b>811 (369)</b>	930 (423)	90° (32°)	690 (314)	<b>742 (337)</b>	856 (389)
	80° (27°)	862 (392)	927 (421)	1020 (463)	80° (27°)	796 (362)	856 (389)	942 (428)
	70° (21°)	938 (426)	1008 (458)	<b>1109 (504)</b>	70° (21°)	868 (395)	934 (424)	<b>1027 (467)</b>

1. 90°/70° figures are rated in accordance with ARI Standard 810. All remaining points are mathematical estimates.
2. All specifications and performance data are subject to normal manufacturing variances.

## OPERATING LIMITS

Ambient Temp. Range	
Air & Water	50° - 110°F (10° - 43°C)
Remote	-20° - 110°F (-29° - 43°C)
Water Temp. Range	40° - 100°F (4.5° - 38°C)
Water Pressure Ice Maker	Min. 20 psi (1.4 bar)
Water in	Max. 60 psi (6.9 bar)
Condenser Inlet Water (Water cooled only)	Min. 20 psi (1.4 bar) Max. 60 psi (6.9 bar)

## ORDERING AND SPECIFICATION INFORMATION

Model No.	Cond. Unit	ICE Production per 24 hrs. at 70° Air/50° Water lbs. (Kgs.)	ICE Production per 24 hrs. at 90° Air/70° Water lbs. (Kgs.)	Water Used-Gals. (Lits.) per 100 lbs. of ICE 90° Air/70° Water		Kilowatts Used per 100 lbs. of ICE 90° Air 70° Water	Btuh	Voltage Characteristics	No. of Wires	Min. Circuit Amp.	Max. Fuse Size	Shipping Weight lbs. (Kgs.)
				ICE Prod. Use	Cond. Use							
PI-1006FA	Air	1109 (504)	811 (369)	20.6 (78)	n/a	5.4	16239	208-230/60/1	3	13.8	20	225 (102)
PI-1005FA	Air	1027 (467)	742 (337)	21.8 (83)	n/a	6.0	15699	230/50/1	3	13.3	15	225 (102)

See Bin specification sheet for information on ICE Storage bins

Please note: air-cooled units require 6" (152 mm) clearance for air intake and exhaust.



PURE ICE® is a registered trademark of ICE-O-Matic®

We reserve the right to make changes in design and construction at any time without obligation.

©2004 Powerline Equipment Rev Code: 8003A-06/04



Powerline Equipment Company Norwalk, CT 06851 USA  
 Phone: USA + 203.847.2357 Fax: USA + 203.847.6480  
 www.powerlineequip.com